

ACCENTRONIX

WIRELESS INTERCOM INFINITY

NEW: LTE/4G & Bluetooth

Smart Access Control System



With Bluetooth for access control

Integrated NICE receiver for



We provide the latest technology in access control and security for your home and business.

MONITORING & CONTROL

General Features

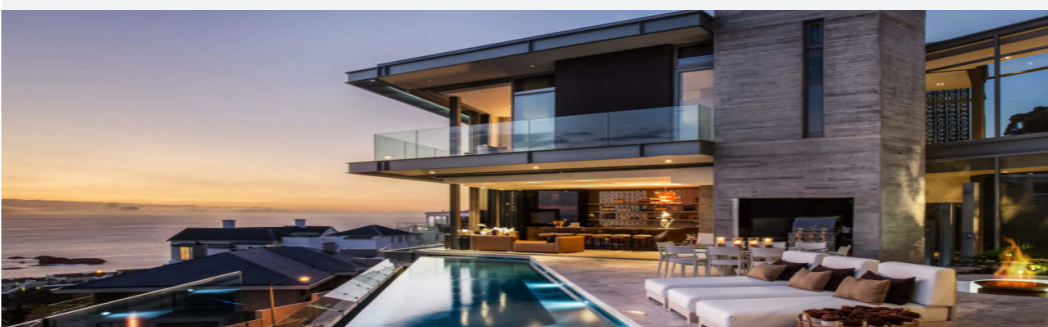
- **NEW FEATURE** Control your device via **Bluetooth** if you are close by. The app will automatically connect via Bluetooth if mobile network is experiencing problems.
- **NEW FEATURE** : Integrated **NICE receiver**.
- Calls directly to your mobile phone.
- Crystal clear audio via Voice over LTE (VoLTE)
- **Visitor control with One-Time-Pin.**
- Wireless keypad add-on.
- 10 000 access control users.
- Single sim. Activated Vodacom or MTN included. Simply load airtime for outgoing calls to start using the device.*
- Low airtime notifications.
- Unlimited alerts and control with our Accentronix Smart Home app.
- Guardhouse call features.
- Marine grade stainless steel enclosure.
- Gate alarms and access control notifications.

Smart Remotes & Tags

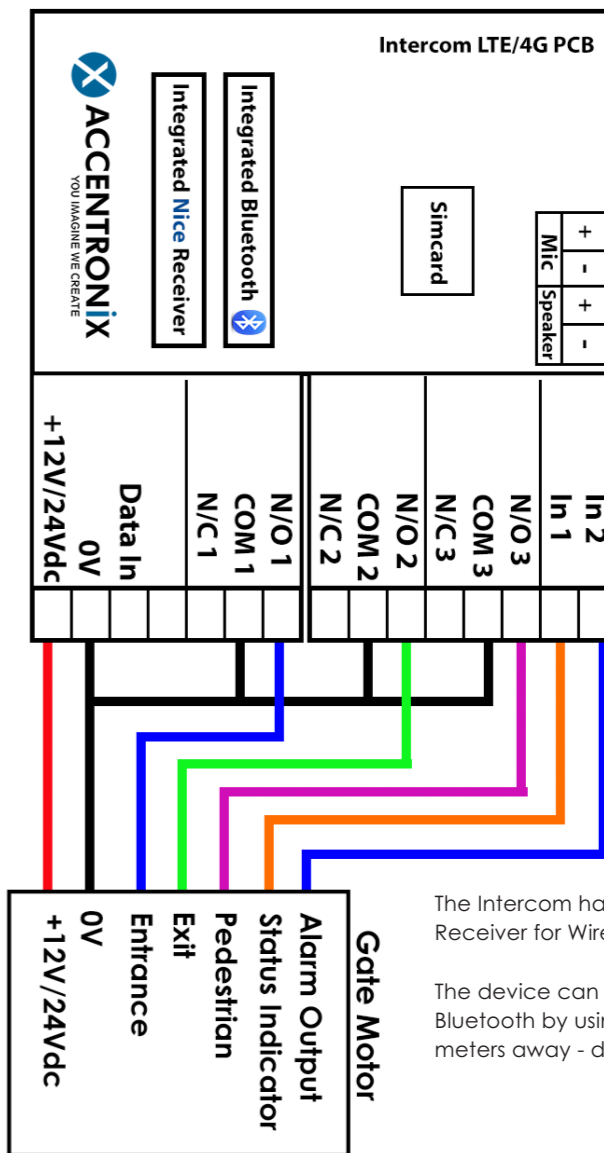
- Managing remotes couldn't be easier with the built-in NICE Cloud-link receiver.
- Have full control over your tags by connecting an Accentronix MIFARE Tag Reader to your intercom.
- Monitor, manage and block remotes, tags and users.
- Restrict access for domestic, gardening and security services to specific days and times.
- Effortlessly bulk learn remotes and tags off-site.
- Comprehensive log reports.

Access Control

- Feature-rich, easy to use website for centralized management.
- Access control for up to 10 000 users by using the Accentronix Smart Home app, Bluetooth, missed-call, NICE remotes, NICE wireless keypads, Tags, Google Assistant, please-call-me or SMS.
- **Visitor control with One-Time-Pin** using wired or wireless keypads.
- Visitor exit and normal OTP's are sent via Whatsapp or SMS.
- Guest house and restricted time-based access control for domestic and gardening services.
- Daily peak-hour gate open/close timers with a calendar for inactive days including Public and School Holidays.
- Detailed access control reports.
- Welcome sms's to new residents. This message includes specific instructions and a link to download the app.



Connection to Gate



The Intercom has an integrated NICE Receiver for Wireless Keypads and remotes

The device can also be controlled via Bluetooth by using the App from up to 15 meters away - direct line of sight.

Technical Specifications

- 12Vdc to 24Vdc @ Idle: 200mA, Max: 2Amp (**we recommend connecting the device directly to the gate battery** as LTE/4G devices draws much more current than 2G devices and may draw up to 2 Amps in short pulses.) Refrain to connect the device to the gate AUX output as it will cause power issues.
- 3 Output relays. (Max 2 Amp @ 50V DC)
- 2 Inputs to monitor gate status and alarm. They are triggered high by applying 12 or 24VDC to the input.
- Input trigger alert messages can be customized online.
- **Bluetooth enabled for access control.**
- Custom commands and buttons can be setup on the app to control the outputs.
- **Dimensions** (including rainshield): **Complex & Index** (Rainshield sold separately): 262x190x120mm **Mini & 2Button** (Rainshield included): 182x135x85mm



Accentronix Tags

With our new tag reader you can effortlessly manage all your tags and users from the cloud.

The tag system includes all the features of the remotes.

Only the latest Accentronix MIFARE Tags will work with this system.

Connect the Accentronix tag reader to any of our devices.



INSTALL YOUR DEVICE IN 5 SIMPLE STEPS

- 1 Create an account and then download the Accentronix Smart Home app onto your phone. (REMEMBER to add your admin account log-in details in the 'admin account' section on the App to be able to access all the setup features)
- 2 Connect the antenna and 12 or 24VDC (max 32V DC) to the device and wait for the green LED on the device to start flashing slowly.
- 3 Go to 'Register Device' and enter the cellphone number of sim 1, give the device a name and click on 'Register'.
- 4 Select 'Access Control' and add the name, mobile number and assign a button number to a resident and click on 'Update Device'.
- 5 Control the device with the buttons that will automatically appear in the app, or by missed-call. You can also press a button number assigned to a resident on the intercom keypad, this will activate a call to that user from where they can press 1, 2, or 3 on their phones keypad to open the gate.

Notes:

- Load at least R30 airtime on sim 1 before registering.
- Installer-mode is activated while the device is not registered, which means that anyone can call the device to open the gate for commissioning purposes.
- A free welcome SMS containing instructions is sent to each new user whenever they are added to the system.*



NICE REMOTES

HOW TO LEARN A REMOTE

1. The Intercom has a built-in NICE receiver. Go to the 'Remotes' tab next to a user.
2. Click on 'Quick learn remote' and press any button on the remote 3 times.
3. Press 'Update device' after adding remotes and users.

Notes:

- You do not have to be on-site to learn a remote. Simply change the 'gateway' option to the device close to you. This allows you to add remotes to a site while you are at the office.



KEYPADS

HOW TO LEARN A WIRELESS KEYPAD

- The Keypad is learned the same way as a remote. Press the '0' button on the keypad 5 times after pressing 'Quick learn' in the keypad section.
- Max range is 15 meters between the keypad and Intercom

HOW TO CONNECT A WIRED KEYPAD

- Up to 3 wired keypads can be connected directly to the intercom PCB.
- Wired keypads do not require batteries and have illuminated buttons.
- Cable length can be up to 50m long.

Note: Remember to enable the 'Visitor Keypad Access Code' option. If enabled, residents can press * or # followed by their unique access code.



Wired Keypad



VISITOR ACCESS ONE-TIME-PIN

External keypads are used for access control and visitor OTP features. A resident can use our app to invite guests. The guests will receive a sms or whatsapp with a pin code that they can use at the gate. The intercom can also automatically send an Exit OTP to the resident after each call to be used by the visitor at the exit gate. OTP's can be used on the intercom keypad as well as the external keypads.

HOW TO INVITE A GUEST USING THE APP

1. Firstly install the app from your app store.
2. Devices that is linked to the residents mobile number will automatically appear in their app.
3. Click on the invite guest button to add visitors.
4. Visitors can be restricted to single or multi-use OTP's.
5. The visitor will receive a sms or whatsapp containing their OTP as well as instructions and a google maps link to the property.
6. As soon as the visitor uses the OTP the resident will immediately receive a notification.

VISITOR EXIT OTP

1. When this feature is enabled the resident will receive a sms with an OTP that they need to give their visitor to enable them to leave the property.
2. This OTP is automatically sent after the resident answered a call from the intercom and opened a gate.
3. Residents needs the app installed to be able to receive these messages. Alternatively sms credits can be purchased online.

ABOUT THE SIM CARDS AND SUBSCRIPTIONS

One year premium subscription are included when you buy this device.

The following premium features is included:

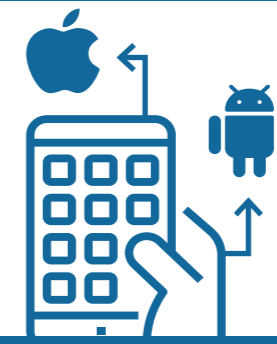
- The included Vodacom or MTN sim cards have already been RICA registered and activated by Accentronix.*
- The Accentronix Smart Home app, NICE Remotes management, Tag management and Google Home. Please note these functions are ONLY available while the device is on subscription.
- All Data, 30 free backup SMS's per month and unlimited updates.*
- Airtime for outgoing calls is NOT included in the subscription. Low airtime notifications is sent out when the airtime drops below a specified level.
- Welcome sms and visitor exit One-Time-Pin sms credits can be purchased online.
- After 1 year, you will receive an invoice for renewal.
- Subscription for the Intercom 2 Button is free of charge for residential properties with less than 10 users, please see terms on website.
- Security upgrades and premium support is also included.

ACCESS CONTROL TIPS AND FEATURES

- A missed-call on sim 1 control output 1
- Two or more devices can effortlessly be linked together over the cloud to appear as one device. This allows you to manage multiple devices connected to the entrance, exit and pedestrian gates as one.
- A device can be linked to multiple accounts and different user levels can be assigned by the owner.
- Use the output timers to automatically open the gate during peak-hours but keep them closed during weekends and Public and School Holidays.
- Connect the entrance or exit loop through Output 1 to ensure a car must be at the gate before allowing access.
- Connect the gate controller's status indicator directly to Input 1 to monitor gate open/close status. You may need to connect a 10K resistor between 12/24Vdc and Input 1 on certain gate controllers.

NOTE: When connecting the Status and Alarm outputs of an NICE Gate controller to Input 1 and 2, you need to connect a **10K resistor** between 12/24Vdc and Input 1 as well as a resistor between 12/24Vdc and Input 2.

Accentronix Smart Home App



Download Our App

Using the App

- Control your gate and garage with a push of a button. The app will automatically pair and connect via Bluetooth if you are near the device, otherwise it will connect over the internet.
- Use the app to invite a visitor with an OTP and receive unlimited alerts and notifications.
- Devices and buttons will automatically appear for any resident whose mobile number is linked to the system. Residents will however not be able to make any changes to the system or be able to invite a guests if these features are not enabled by admin.
- Press and hold a button for one second to activate.

App admin levels

- Different levels of admin privileges can be assigned depending on whether you are the owner, access control administrator or a resident.
- Installers can use the app to set the device up, add and edit control buttons, check status and test the device on site. Installers and admin need to link their account in the 'Admin Account' section in the app to enable them to make changes.
- As a backup service, you will receive alerts by normal SMS if your phone temporarily lost its internet connection. You will also be able to control the device by normal missed-call from within the app while you are offline.*
- All residents needs to download the Accentronix Smart Home App free of

Trouble Shooting

- This device contains very sensitive electronics and is susceptible to interference caused by electric motors, electric fences, high voltage cabling and other devices that emit electromagnetic interference. We highly recommend installing the device as far away from any such sources as well as doubling up on 12/24Vdc power cables and NOT connecting it to the AUX output of the gate motor, but **directly** to the gate battery.
- **The antenna and coiled-up antenna wire must NOT be close to the device's PCB itself or any other cabling as this will cause interference issues. Try to keep the remaining antenna wire out of the intercom enclosure as much as possible.**
- **Because the NICE and Bluetooth Receiver is inside the metal enclosure, limited range may be experienced behind and to the sides of the intercom. You may need to install a separate Cellswitch Nano at the exit gate and link it over the Cloud to the intercom to receive Wireless Keypad, Nice Remotes and Bluetooth signals.**
- **The sim cards of older type devices are not Voice Over LTE enabled and should not be used in this device, otherwise incoming and outgoing calls will not work properly.**
- During power-up and after an update the GREEN LED will be solid for a few seconds.
- The GREEN LED start flashing fast when the device registers on the GSM network. After the device is successfully logged onto the cloud the LED will flash slowly. This can take up to a minute.
- If the GREEN LED stay solid or keeps on flashing fast for more than 5minutes, the sim cannot connect to the internet. Move the antenna to a higher position and check the signal strength. Minimum recommended signal is 14. Max is 31.
- Make sure the antenna is vertically mounted, not inside a metal enclosure, close to any metal or electric fence wires.
- To check the status, voltage and signal, sms **1234.status** to sim one.
- The RED LED shows the on/off status of Output 2 as well as various error codes.
- If you do not have the app installed on your phone, or if your phone lost its internet connection, you will receive alerts by sms as a backup (max 30 sms's per month).

*Please see website for terms and conditions and fair usage messaging policy.

*Included sim cards and Free sms'ses for South Africa only.

*Airtime Not included for outgoing calls

Get in Touch

Office and Technical : +27 21 330 5016
Technical support Whatsapp line: +27 63 631 0314

Support hours:
Weekdays: 8:30-17:00 Saturday: 9:30-13:00
Sunday and Public holiday: 9:30-11:00

www.accentronix.co.za
support@accentronix.co.za

